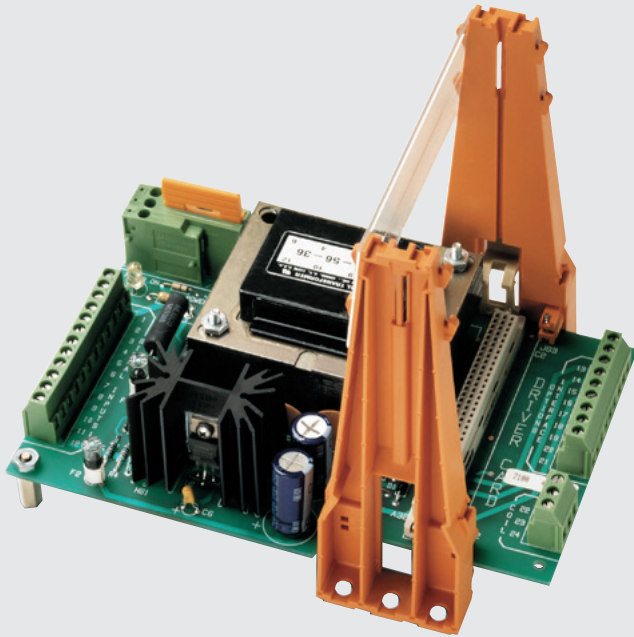


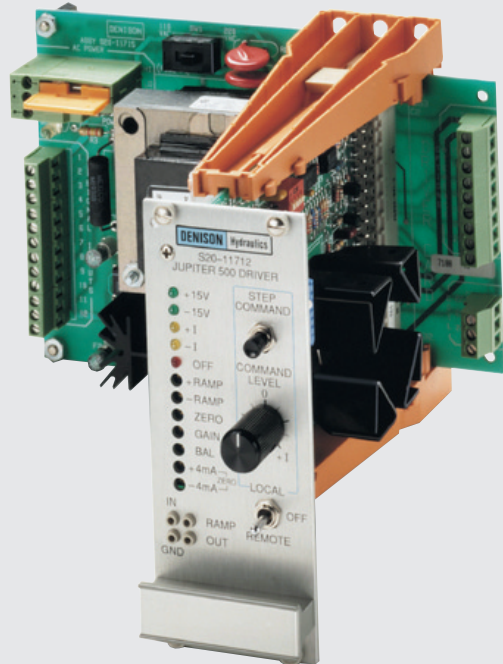
DENISON HYDRAULICS

Jupiter Power Supply Accessory

Series S20-11715-0



Jupiter Power Supply Accessory
S20-11715-0

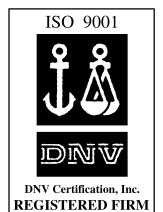


Jupiter Power Supply Accessory
w/Driver Card
S20-11712

Publ. 9-AM686



E-Mail: denison@denisonhydraulics.com Internet: <http://www.denisonhydraulics.com>



**DECLARATION OF CONFORMITY
PER EMC DIRECTIVE 89/336/EEC AND EN45014**

MANUFACTURER'S NAME DENISON HYDRAULICS
MANUFACTURER'S ADDRESS 14249 Industrial Parkway
Marysville, Ohio 43040-9504, USA

declares that the product

PRODUCT NAME Jupiter Power Supply Accessory
PRODUCT PART NUMBER S20-11715-0

**conforms to the following
product specifications**

EMC: EN50081-1: March 1993 generic emissions for residential, commercial and light industry¹
EN55011: 7/1992 radiated or conducted EMI — 30-1000MHz

EN50082-2: 1995 generic immunity for heavy industry¹
ENV50140: 8/1993 — 10V/m, 80-1000MHz — Performance Criteria B

EN61000-4-2, IEC801-2 electrostatic discharge (ESD)
8KV air discharge — Performance Criteria A
4KV contact discharge — Performance Criteria A

EN61000-4-4: 5/1995 fast transient rejection
2KV power supply wires — Performance Criteria B

**SUPPLEMENTARY
INFORMATION**

The product was tested in an EMC TEST Laboratory in Germany and herewith complies with the EMC Directive 89/336 and the CE Marking requirements.

¹ The product was tested in a typical system configuration with DENISON HYDRAULICS Jupiter Series products or recommended second source products. The tested product was mounted in a NEMA 4 enclosure (or equivalent) and all cables exiting the enclosure were shielded (screened). Enclosure and cable shields were connected to earth ground (PE).

USA CONTACT

Office of Director of Quality
DENISON HYDRAULICS
14249 Industrial Parkway
Marysville, Ohio 43040

EUROPEAN CONTACT

DENISON HYDRAULICS Sales Office
or Office of Quality Manager
DENISON HYDRAULICS GmbH
Gerresheimer Strasse 9
D-40721 Hilden
Deutschland

SYSTEM FEATURES

- 110/220 VAC
- 50/60 Hz
- Built-in Eurocard holder
- Auxiliary $\pm 15\text{VDC}$ power supply
- Panel mount hardware included
- Terminal block connections for driver card

The product information, specifications, and descriptions contained in this publication have been compiled for the use and convenience of our customers from information furnished by the manufacturer; and we can not, and do not, accept any responsibility for the accuracy or correctness of any description, calculation, specification, or information contained herein. No such description, calculation, specification, or information regarding the products being sold has been made part of the basis of the bargain, nor has same created or amounted to an express warranty that the products would conform thereto. **We are selling the goods and merchandise illustrated and described on this publication on an "as is" basis, and disclaim any implied warranty, including any warranty of merchantability or warranty of fitness for any particular purpose whatsoever, with respect to the goods and merchandise sold.** All manufacturer warranties shall be passed on to our customers, but we shall not be responsible for special, indirect, incidental, or consequential damages resulting from the use of any of the products or information contained or described on this publication. Further, we reserve the right to revise or otherwise make product improvements at any time without notification.

SPECIFICATIONS

SIGNAL INPUTS

TERMINAL #	INPUT
1	Sig Gnd
2	+ 10VDC Ref Out
3	- 10VDC Ref Out
4	± 10VDC Aux In
5	± 1VDC Aux In
6	+ Voltage In
7	Current Loop Ret
8	Current Loop In
9	Sig Gnd
10	Remote Shutdown In
11	Pwr Gnd
12	Sig Gnd

COIL OUTPUTS

TERMINAL #	OUTPUT
22	Coil Out
23	Coil Ret
24	Ramp at zero output

Coil output is positive for positive command input signal to +Voltage In, Current Loop In, ±1VDC Aux In, and ±10VDC Aux In.

OPTIONS INTERFACE

TERMINAL #	
13	+ 15VDC Output
14	- 15VDC Output
15	Pwr Gnd
16	Command Disable Input
17	Major Loop Input
18	Minor Loop Input
19	Command Out
20	Horsepower Limit In
21	Soft Stop In (Pull to GND)

AC POWER INPUTS

Voltage	110/220VAC Switchable
Frequency	50/60 Hz
Power	56VA
Fuse (AC HI Terminal)	500mA, 250VAC, 5 x 20mm Time Delay

TERMINAL #	
AC HI (Fused)	110/220VAC Line
AC LO	AC Line Gnd
Earth Gnd*	Chassis Gnd

*Remove JP1 on card to Float Signal Gnd from Earth Gnd.

±15VDC DUAL TRACKING REGULATED OUTPUT

+15VDC Max Current Out (A24, C24):	+ 350mA
-15VDC Max Current Out (A26, C26):	- 100mA
Internal Thermal Protection	
Internal Overload Protection	

±24VDC UNREGULATED OUTPUT

+24VDC Max Current Out (Pin C28):	+ 750mA
-24VDC Max Current Out (Pin C30):	- 750mA

SPECIFICATIONS

DRIVER CARD RECEPTACLE

(DIN 32C, Female)

A2	+10VDC Ref Out	C2	Command Out
A4	-10VDC Ref Out	C4	TP1
A6	Command Disable In	C6	TP2
A8	Soft Stop In	C8	Remote Shutdown
A10	+Voltage In	C10	TP4
A12	Sig Gnd	C12	±1VDC Aux In
A14	Maj Loop In	C14	±10VDC Aux In
A16	Min Loop In	C16	HP Limit In
A18	Sig Gnd	C18	Ramp At Zero Output
A20	Current Loop In	C20	Current Loop Ret
A22	Coil Out	C22	Sig Gnd
A24	+15VDC Reg In	C24	+15VDC Reg In
A26	-15VDC Ref In	C26	-15VDC Reg In
A28	Coil Ret	C28	+24VDC Unreg In
A30	Remote Shutdown In	C30	-24VDC Unreg In
A32	Pwr Gnd	C32	Pwr Gnd

MECHANICAL

Dimensions

Panel Mounted w/4 Screws:

Power Supply Only	124H x 145D x 173W mm
Power Supply w/Driver Card	128.4H x 216D x 173W mm
Weight Power Supply Only	1.12 kg (37.5 oz.)
Weight w/Driver Card	1.36 kg (3 lb.)

Eurocard Holder:

Driver Card	3U, 100 x 160 mm
Connector	DIN 32C, Female

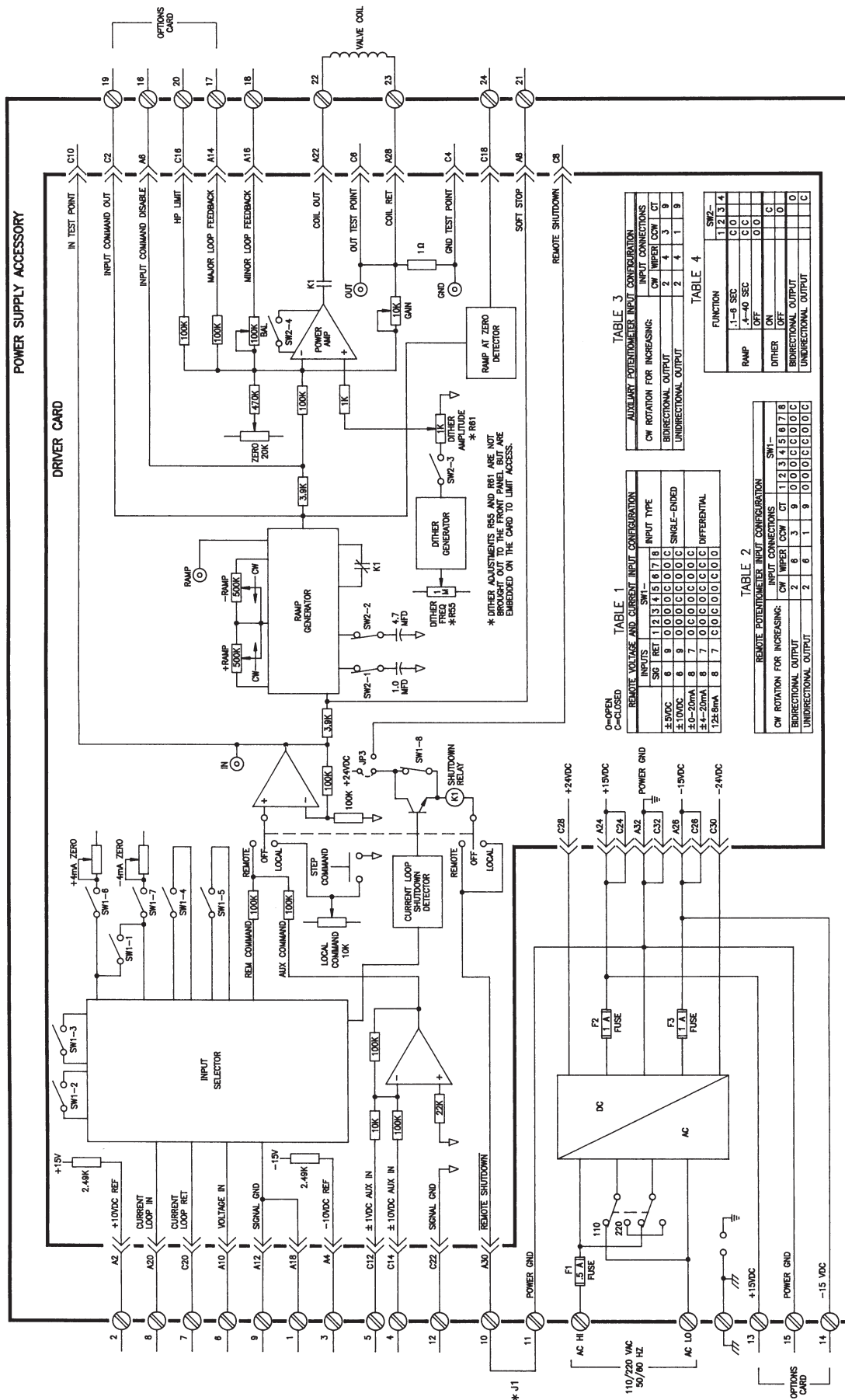
Terminals:

Tubular Screw w/Pressure Plate
12 AWG Wire Max

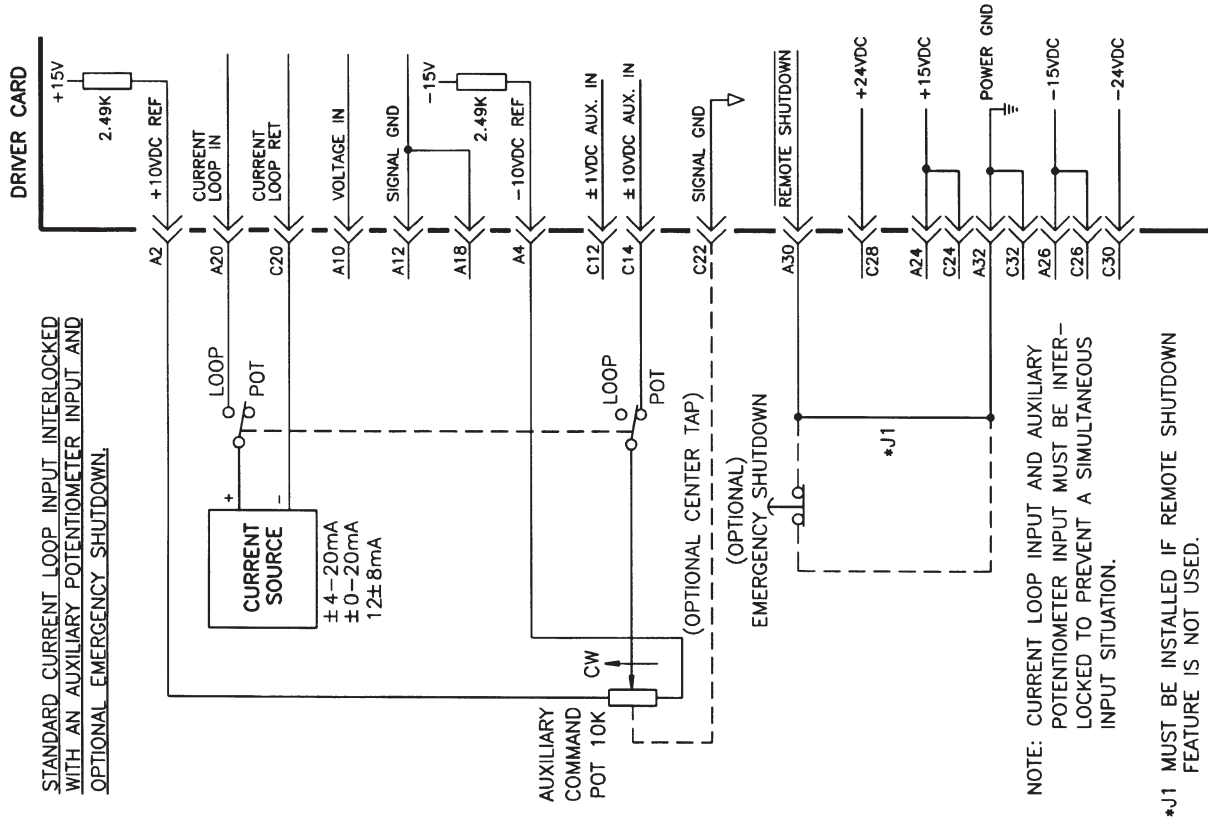
DESCRIPTION

Jupiter Power Supply Accessory S20-11715-0 is a panel-mounted dual output DC power supply with a 32 pin Eurocard holder for a single Jupiter Driver Card, S20-11712. Operating from a 110/220VAC, 50/60 Hz power line, this power supply provides the ±15V dual-tracking regulated and the 24V unregulated DC supplies required by the Driver card to operate the Gold Cup and World Cup pumps and the F5C flow control valve in open-loop control systems. It also provides the ±15VDC supply required by the Jupiter Options Card, S20-11716, when accompanying the Driver card in closed-loop systems. A separate Eurocard holder is required for use with the Options card.

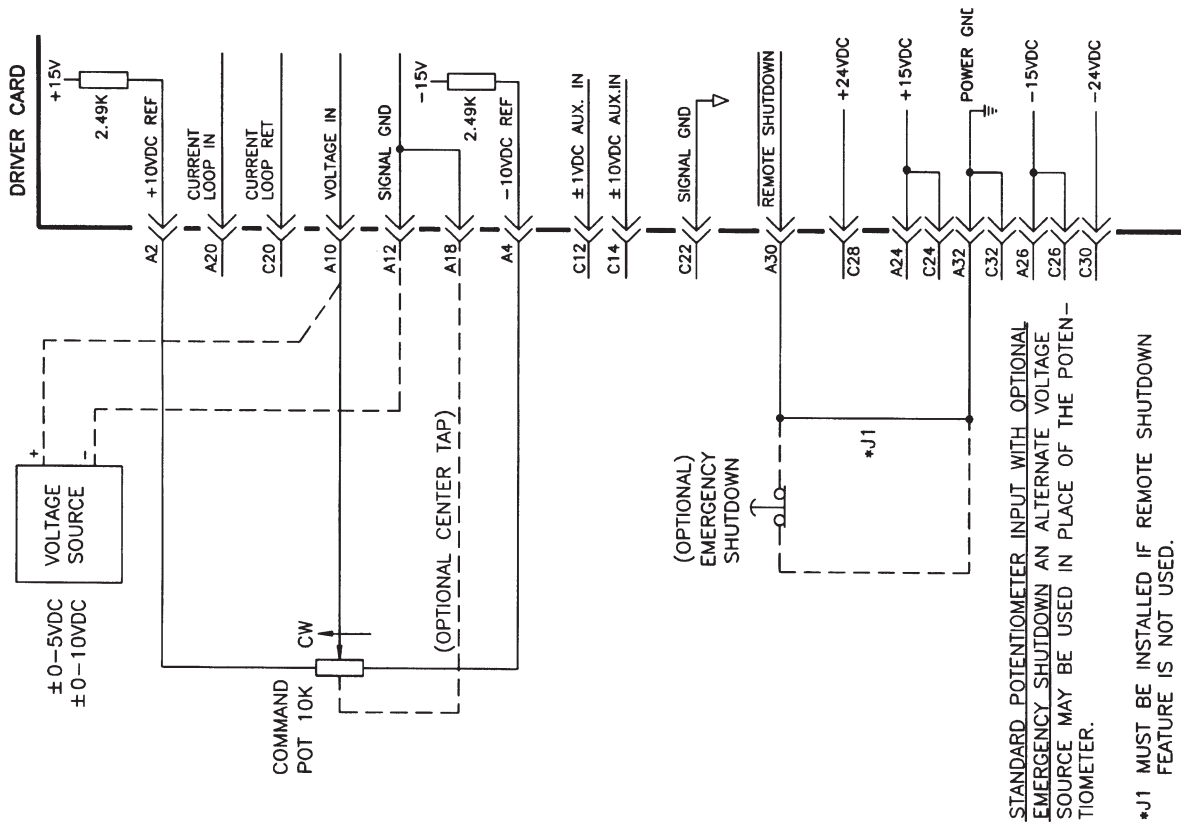
In addition to providing power to the Driver card, this accessory brings all the inputs and outputs of card out to screw terminals for convenient wiring to the power line, input commands, valve coil, and the Options card when used in closed-loop systems. Care has been taken to group and locate the screw terminals for optimum safety and wiring.



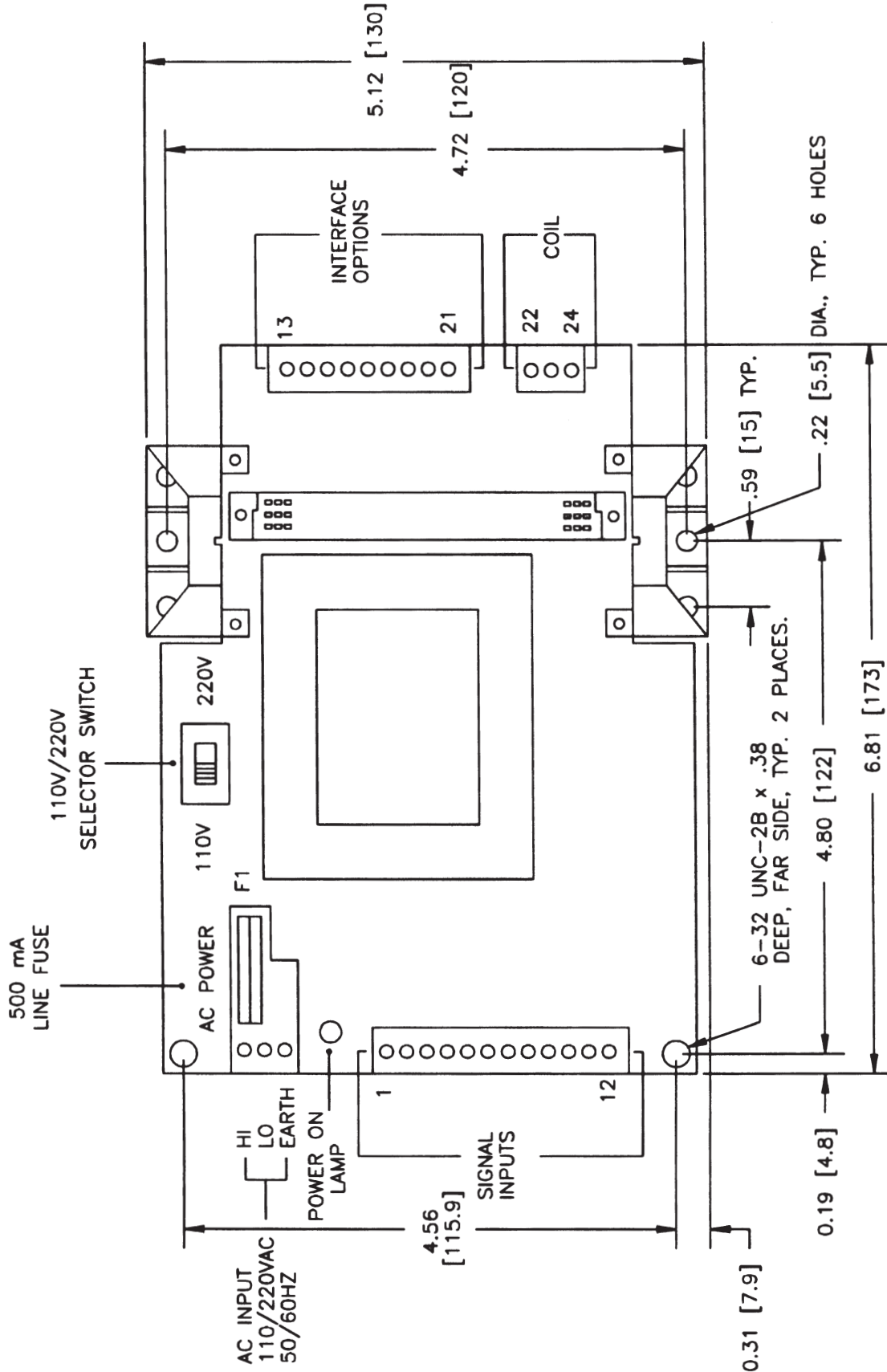
Block Diagram
Jupiter Driver Card S20-11712
with Power Supply Accessory S20-11715



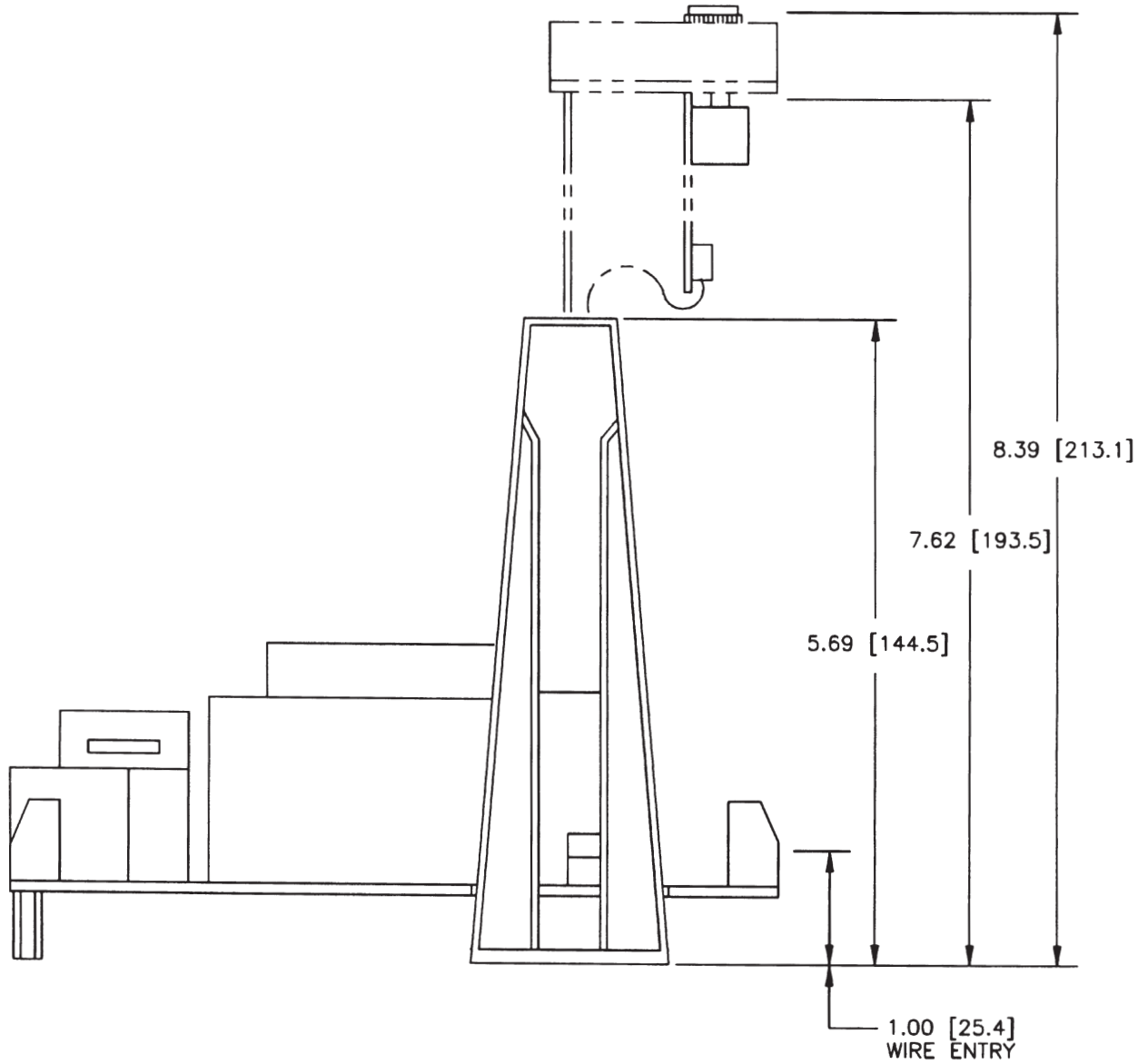
Current Loop Input Connections



Remote Voltage and Potentiometer Input Connections



Top View
Power Supply Accessory



Side View
Power Supply with Driver Card

Denison Hydraulics Inc

14249 Industrial Parkway
Marysville, OH 43040 USA

Tel : 937-644-3915

Fax : 937-642-3738

E-mail:

denison@denisonhydraulics.com

Call toll-free

800-551-5956

*in North America or
visit*

www.denisonhydraulics.com

to locate a

**Denison representative
nearest you.**

North America**Canada**

Denison Hydraulics Canada Inc.
2880 Brighton Road, Unit 1
Oakville, ON L6H 5S3, Canada
Tel : +1 (905) 829-5800
Fax : +1 (905) 829-5805

Latin America**Mexico, Central America, South America, Caribbean countries**

Denison Hydraulics Inc.
7850 NW 146 Street
Suite 512
Miami Lakes, FL 33016, USA
Tel : +1 (305) 362-2246
Fax : +1 (305) 362-6220

Asia-Pacific**Australia**

Denison Hydraulics PTY
41-43 St Hilliers Road
P.O.Box 192
Auburn N.S.W. 2144, Australia
Tel : +61 (2) 9646 5200
Fax : +61 (2) 9643 1305

Hong Kong

Denison Hydraulics Ltd.
Unit 6A, 33/F Cable TV Tower
9 Hoi Shing Road, Tsuen Wan
NT, Hong Kong
Tel : +852 2498 8381
Fax : +852 2499 1522

Japan

Denison Japan Inc.
4-2-1 Tsujido-Shinmachi
Fujisawa 251-0042, Japan
Tel : +81 (466) 35-3050
Fax : +81 (466) 35-2019

People Republic of China

Shanghai Denison Hydraulics
Engineering Ltd.
Room 8018, No. 601
Zhang Yang Road,
Pudong New Area
Shanghai 200120, P.R. China
Tel : +86 (21) 58205042 / 34
Fax : +86 (21) 58205014

Singapore

Denison Hydraulics PTE LTD
Blk 4012 Ang Mo Kio Ave 10,
Unit #07-01D Techplace I
Singapore 569628
Tel : +65 268 7840
Fax : +65 268 7847

Taiwan

Denison Hydraulics LTD
6F-10, No. 79,
Sec. 2 Roosevelt Rd,
Taipei, Taiwan, ROC
Tel : +886-2-23645101
Fax : +886-2-23639025

Europe**Austria**

Denison Hydraulics GmbH
Zweigniederlassung Linz
Haibachstraße 69
4061 Pasching, Austria
Tel : +43 (72 29) 48 87
Fax : +43 (72 29) 6 30 92

Benelux

Denison Hydraulics Benelux B.V.
Pascalstraat 100
3316 GR Dordrecht, Holland
Tel : +31 (78) 6543 070
Fax : +31 (78) 6175 755

Denmark

Denison Hydraulics Denmark A/S
Industrikrogen 2
2635 Ishøj, Denmark
Tel : +45 (4371) 15 00
Fax : +45 (4371) 15 16

Finland

Denison Lokomec Oy
Polunmäenkatu 22
P.O. Box 116
33721 Tampere, Finland
Tel : + 358 (3) 357 5100
Fax : + 358 (3) 357 5111

France

Denison Hydraulics S.A.
14 route du bois blanc
BP 539
18105 Vierzon, France
Tel : +33 (2) 48 53 01 20
Fax : +33 (2) 48 75 02 91

Great Britain

Denison Hydraulics UK LTD
Kenmore Road
Wakefield 41, Industrial Park
Wakefield, WF2 OXE
West Yorkshire, England
Tel : +44 (1924) 826 021
Fax : +44 (1924) 826 146

Germany

Denison Hydraulics GmbH
Auf dem Sand 14
D 40721 Hilden, Germany
Tel : +49 (0) 2103 / 940-3
Fax : +49 (0) 2103 / 940-558

Italy

Denison Hydraulics Srl
Via Le Europa 68
20090 Cusago (MI), Italy
Tel : +39 (02) 90330-1
Fax : +39 (02) 90390694/5/6
Denison Calzoni S.p.A
Via Caduti di Sabbiano15/17
40011 Anzola dell'Emilia
Bologna, Italy
Tel : +39 (051) 6501611
Fax : +39 (051) 736221

Spain

Denison Hydraulics S.A.
Gomis 1
08023 Barcelona, Spain
Tel : +34 (93) 253 1990
Fax : +34 (93) 211 6507

Sweden

Denison Hydraulics Svenska AB
Sporregatan 13
213 77 - Malmö, Sweden
Tel : +46 (40) 600 13 00
Fax : +46 (40) 600 13 50

Others**Other European, Middle East, African countries**

Denison Hydraulics S.A.
ATTN: Export Office
14 route du bois blanc
BP 538
18105 Vierzon, France
Tel : +33 (2) 48 53 01 20
Fax : +33 (2) 48 53 01 46

Your local DENISON representative

DENISON Hydraulics